

# G GRIPPLE®



**High speed hanger  
solutions for Lighting &  
other Electrical services**

Lighting and Electrical



No Tools Required  
**SELF-LOCKING**  
6 times faster



# Gripple History



*Since its launch in 1997, the Gripple hanger system has become universally recognized as the world's fastest and most cost effective way of installing electrical, mechanical and other suspended services. Through value engineering and advanced manufacturing practices, the Gripple team has brought to market a range of products which continues to grow and provide customers with outstanding features and benefits. And it's all down to the company's spirit of innovation.*

## **Innovation** the key to success at Gripple

The original Gripple was conceived back in the 1980s for use in joining and tensioning field fencing and trellising. Since then, more than 200 million units have been installed in over 70 countries worldwide. By the mid 1990s the Gripple team began work in joining wire a different way – vertically rather than horizontally. After numerous product revisions and countless hours of testing, the range of Gripple hangers was introduced to worldwide acclaim. The Gripple hanger system is unique because it incorporates both the hanger – the cable – and the means by which it is terminated and adjusted – the Gripple. Multiple cable end fixings have been, and continue to be developed to provide secure attachment solutions in every type of building situation. Gripple products have been developed in the field – in response to market needs and not the result of inventors locked away in laboratories. We will continue to work with end users, listen and learn, and provide quality solutions for the market.

Gripple hangers are now used across the United States and Canada in countless schools, hospitals, churches, retail stores, factories, warehouses and other commercial and industrial buildings. In fact, they can be found hanging services in the buildings of most of the Fortune 500 companies. Gripple hangers are UL and CSA listed and SMACNA verified. Gripple will continue to control manufacturing from its award winning ISO 9002 plant located in Sheffield, England. From its North American hub just outside Chicago, the team of dedicated employees look forward to being of service in all 50 states and every Canadian province.

Thank you for your interest in Gripple products. We hope you are able to identify a hanger system to meet your needs, but if not – call us, we'll make it for you !!



# About the Gripple

## Features & Benefits

- Gripple hangers are the **versatile** way to suspend static loads.
- Their **time saving** qualities have been shown to reduce installation by up to 6 times compared to threaded rod, chain, hanger strap, or other loose cable systems.
- Gripple hangers incorporate a length of pre-cut cable with a pre-fabricated end fixing for **maximum speed, efficiency and safety**.
- Their **lightness** is a major safety improvement, both in terms of carrying and storing the product easily on site and in reducing accident risk in aerial situations caused by falling materials.
- Gripple hangers are far less invasive than threaded rod and in fact enhance the **aesthetics** of installations.
- They allow the installer to position the hangers **vertically or at an angle** to the suspended object.
- Gripple hangers are available in **numerous configurations** for attachment to virtually any type of building structure.
- Gripple hangers are manufactured to **ISO 9002 standards** and carry certificates from the following agencies: **UL, SMACNA and ETL Intertek**.

### END-CAP:

UV stabilized homopolymer polypropylene

### STAINLESS SPRING:

Type 302 S26 stainless steel, hardened and tempered

### LOCKING WEDGES:

Oil impregnated, sintered, hardened and tempered steel

### ZINC-HOUSING:

One piece, die cast zinc, type ZA2

### CABLE:

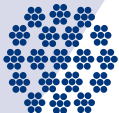
Grade AISI 316 zinc galvanized BS 302

Size	Diameter	Construction
#1	3/64	7 x 7
#2	5/64	7 x 7
#3	1/8	7 x 7
#4	3/16	7 x 19
#5	1/4	7 x 19

Cable cross sections:

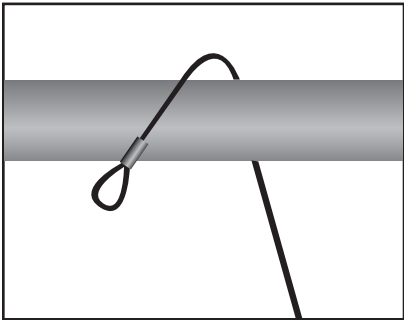
7 x 7

7 x 19

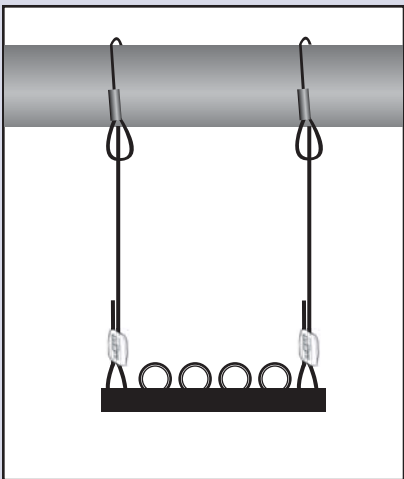
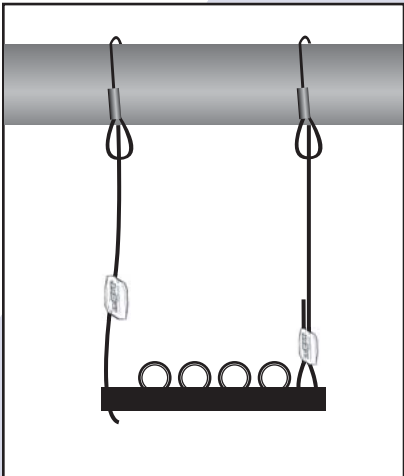


# Multiple End Fixings

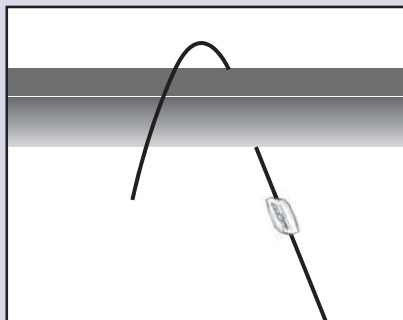
## Loop



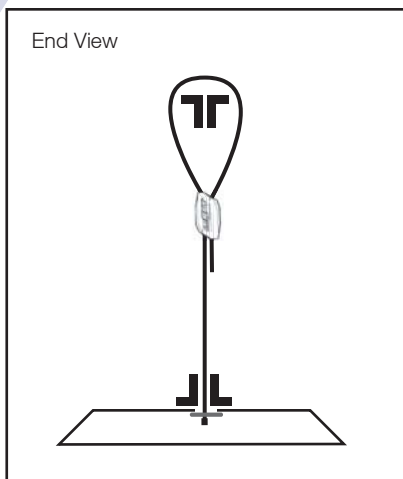
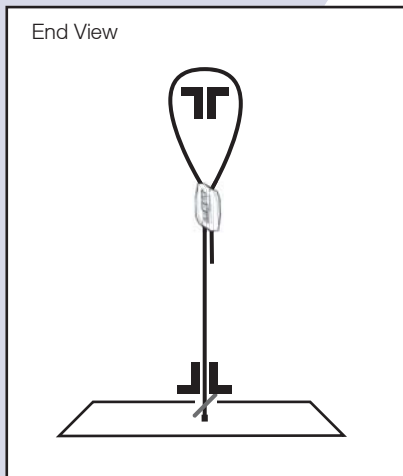
Conduit Rack on Strut



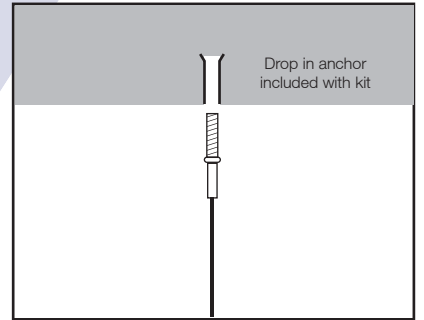
## Toggle-Down



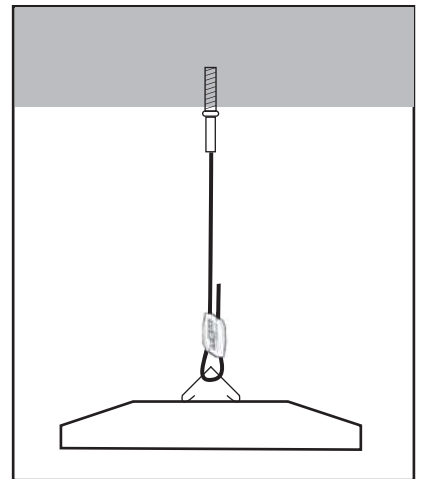
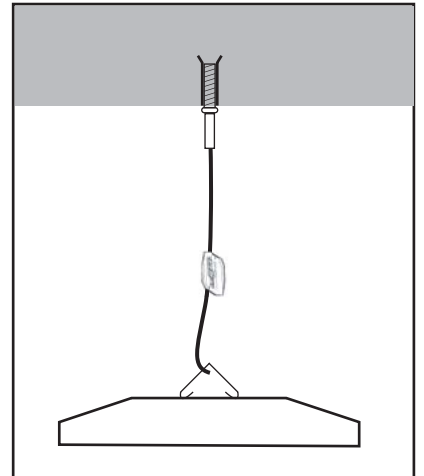
Toggle passed through middle of bar joist



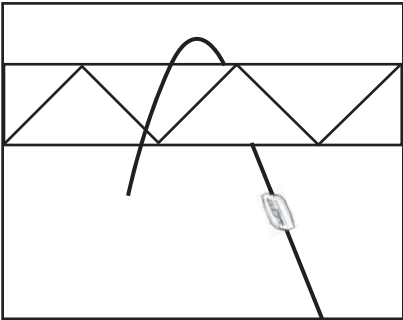
## Stud-Up



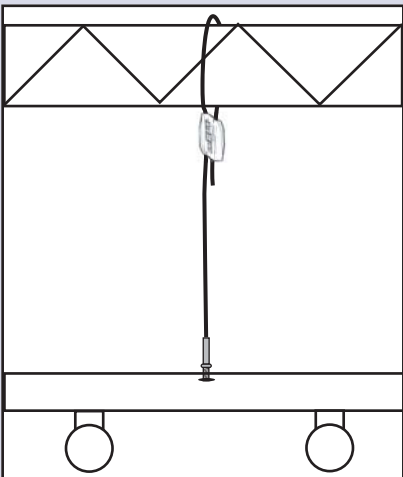
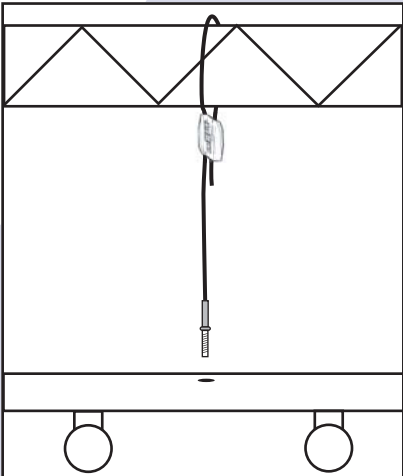
High bay fixture & V clip



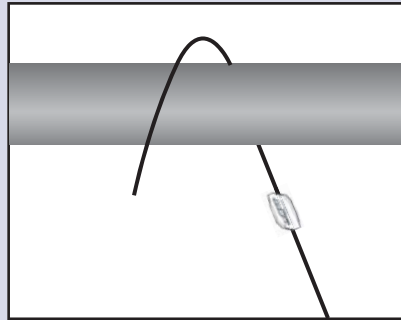
## Stud-Down



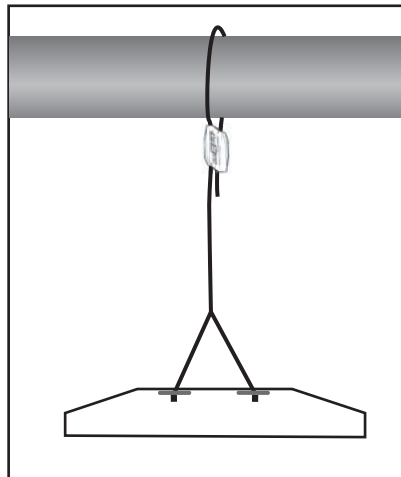
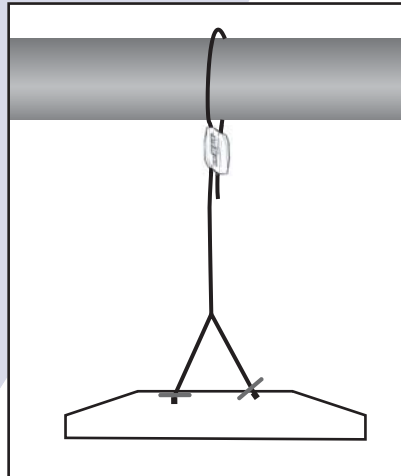
Stud end fastened to track light



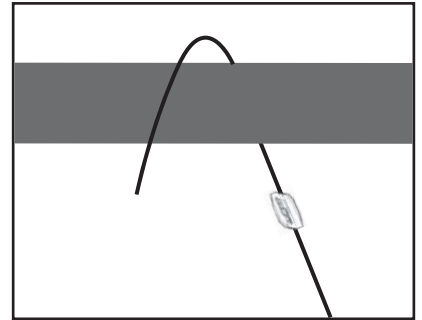
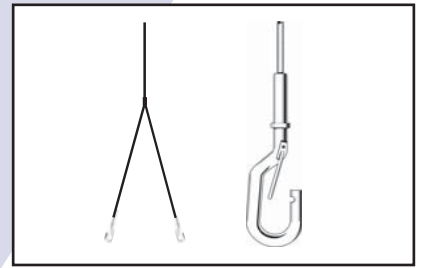
## Y-fit Toggle



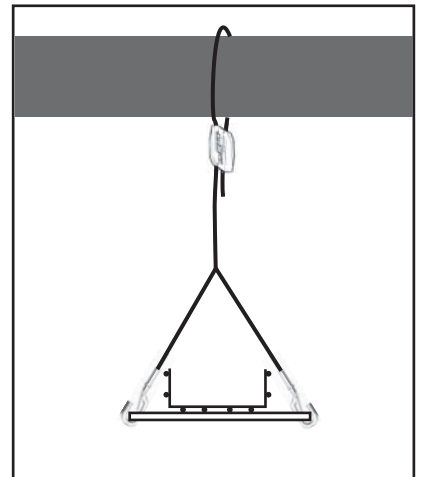
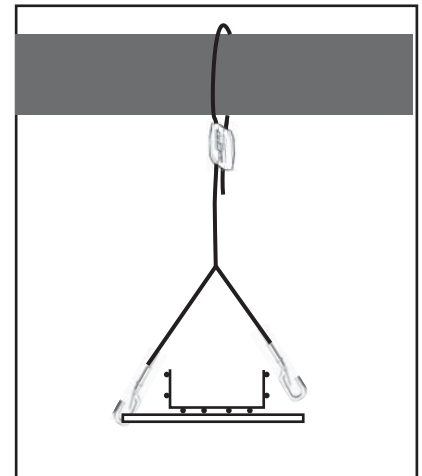
Toggles locate through pre-punched holes



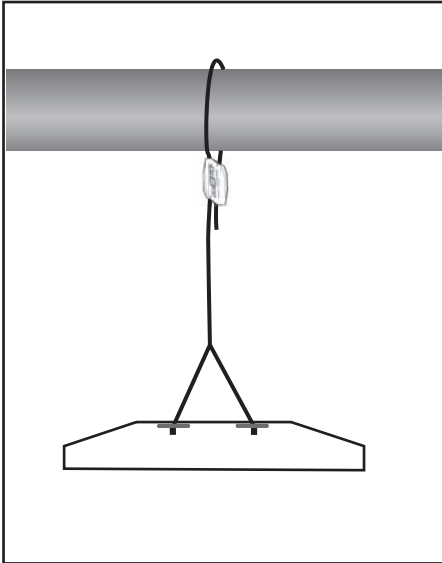
## Y-fit Hook



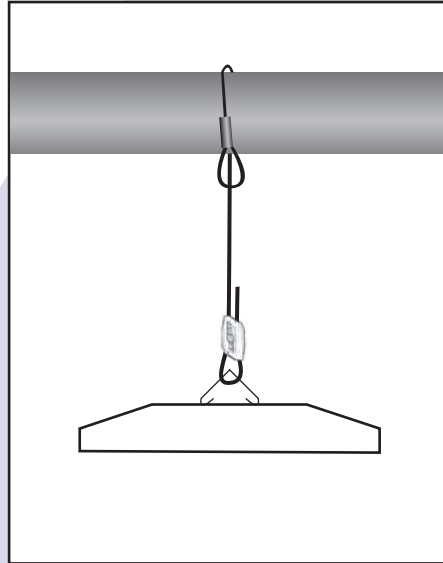
Hook latches directly on to cable basket



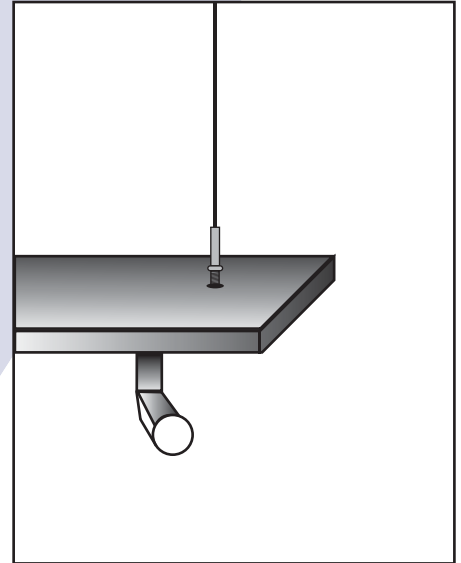
# Lighting Applications



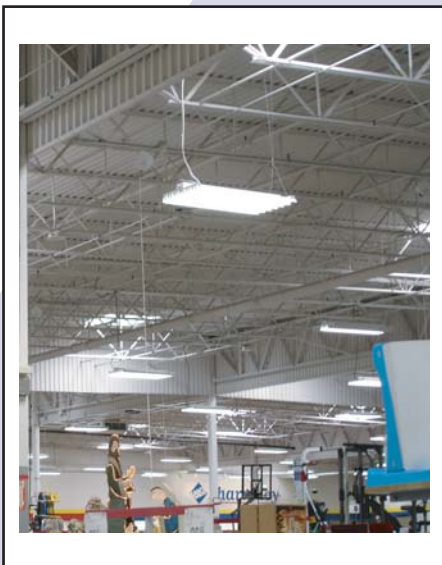
*Y-toggle on high-bay*



*Loop on high-bay*



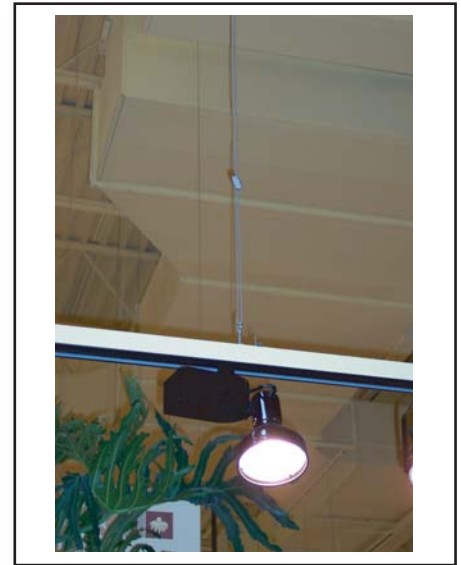
*Track lighting: screw in stud end*



*Fluorescent High Bays - Y fit Toggle*



*High Bay Fixture: Loop & V-clip*

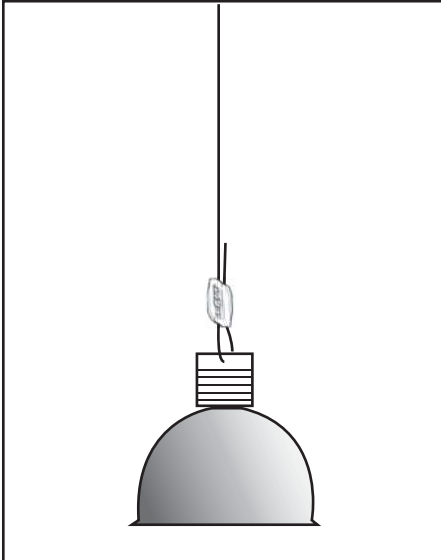


*Track lighting: loop & eyebolt*

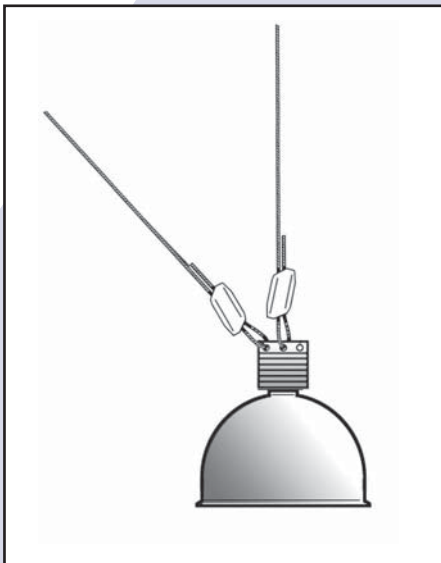
## **SPECIALS**

If you have a requirement which is not currently featured in our catalog - CALL US. We control all of our manufacturing at our award winning ISO 9002 plant, and can custom make virtually any type of cable end fixing. We will even assist on site to help identify the most suitable mounting methods.

## HID Lighting



Primary Support

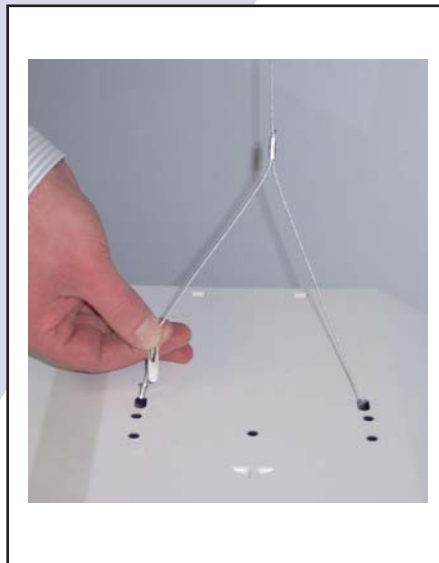


Primary Support & Safety Line

## Pre Installed

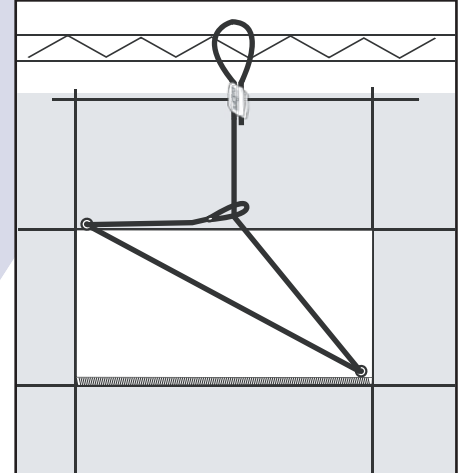


Pre-Installed hangers on fixtures

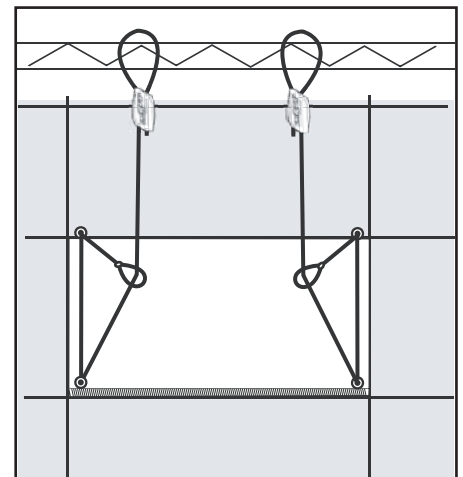


Simple installation of Y-fit Toggle

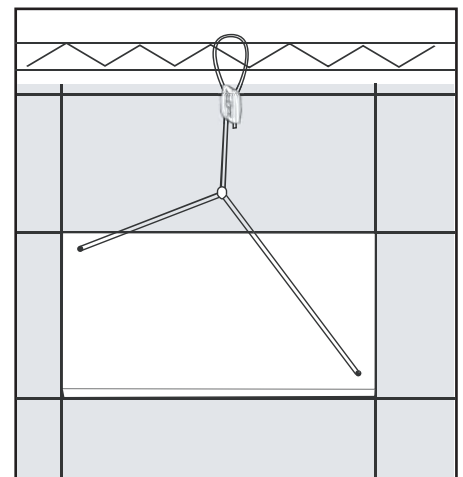
## Troffer Supports



One Loop - diagonal corner safety line support



Two Loops - all corner hanger or safety line support



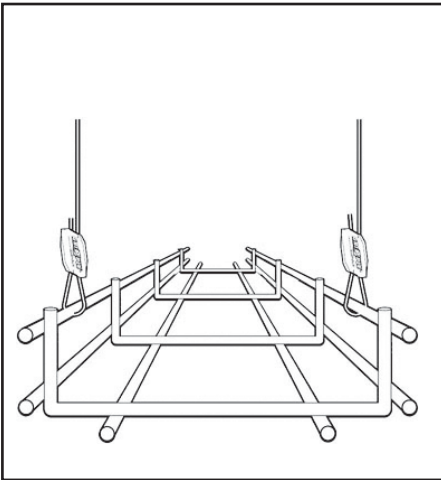
30° Y-toggle - diagonal corner safety line support

### ADDED VALUE

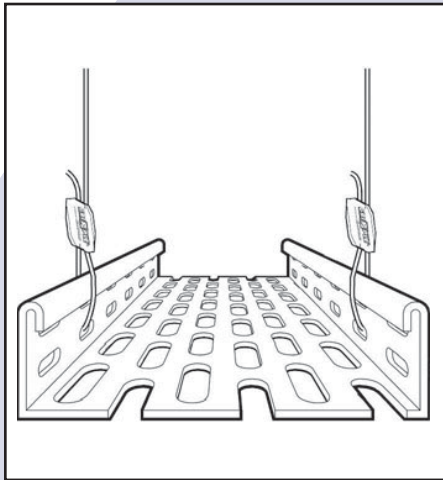
All Gripple hangers can be supplied in bulk to allow manufacturers to install onto fixture prior to shipping. This gives the manufactured product significant added value when compared to its competition.

# Applications

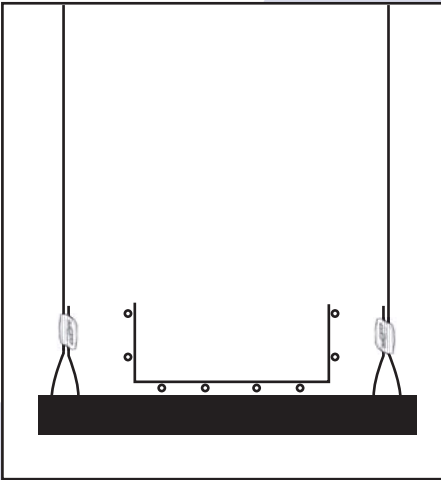
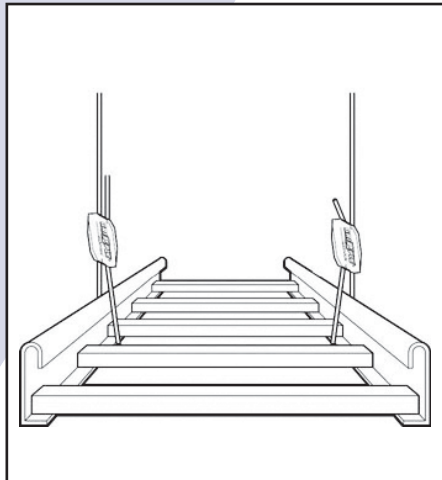
## Cable Basket



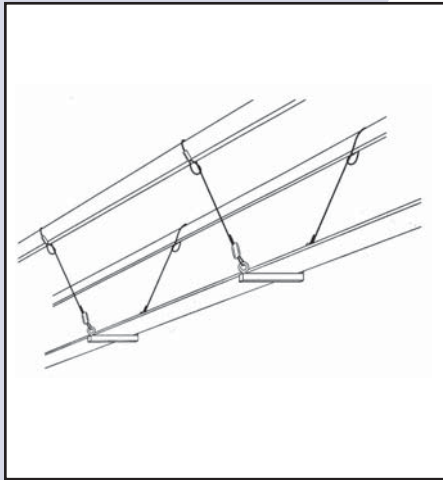
## Cable Tray



## Cable Ladder



*Basket on Strut*



*Cable Tray at Angles*



*Basket at Angles*



*Cable Tray using Y-fit Karabiner*

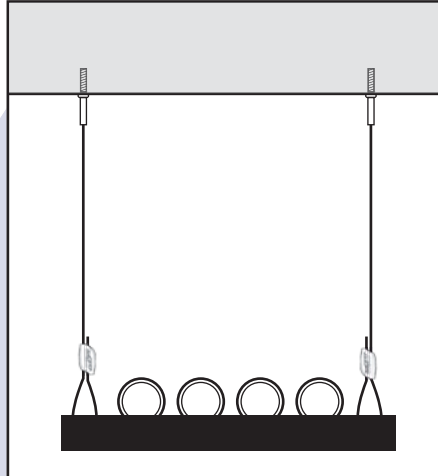
### **VARIETY**

These drawings only show a few of the methods to suspend cable basket, tray and ladder. A variety of other Gripple products can also be used to suspend these services. Please consult with your local Regional Manager to ensure you are using the most cost & time efficient solution.

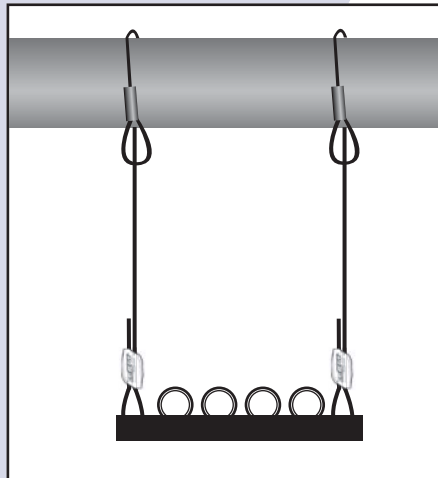
## Busway/Busduct



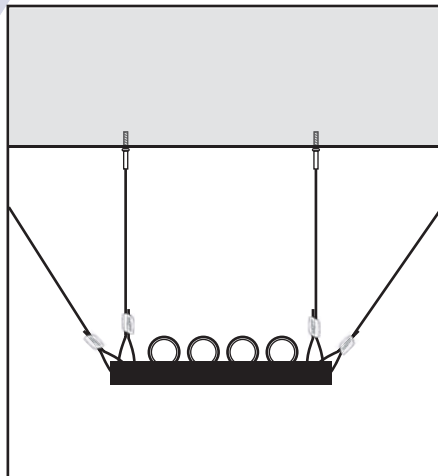
## Conduit Racks



Conduit Rack with stud hanger



Conduit Rack with loop hanger



Conduit Rack with side braces

## Technical Info

### Hanging at Angles

Hanger Size	Maximum Load (lbs) at an Angle from Vertical				
	0° Vertical	15°	30°	45°	60°
#1	22	21	18	15	11
#2	100	96	86	70	50
#3	200	192	172	140	100
#4	495	475	425	346	247
#5	715	686	614	500	357
Load %	100	96	86	70	50

The load rating for a Gripper hanger is based on the suspension being hung vertically. If the cable is suspended at an angle, an additional sideways load is applied, which reduces the load capacity of the suspension. The net effect is shown in the table above.

### Working Load Limits







<b>No. 1</b>	<b>0-22 lbs</b>
<b>No. 2</b>	<b>23-100 lbs</b>
<b>No. 3</b>	<b>101-200 lbs</b>
<b>No. 4</b>	<b>201-495 lbs</b>
<b>No. 5</b>	<b>496-715 lbs</b>




### Approvals & Testing

Gripper products have been independently tested & certified by the following agencies:




- \*SMACNA Testing & Research, Chantilly VA
- \*UL Underwriters Laboratories Inc, Northbrook IL
- \*CSA International, Cleveland OH
- \*RADCO Inc., Long Beach CA
- \*New York Testing Laboratories
- \*Architectural Testing, York PA
- \*Lloyds Register, England
- \*ETL - Intertek, Vancouver BC



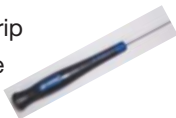
# Single Point Hanger Kits

SIZE	CABLE LENGTH	TYPE OF END FIXING					
		 LOOP	 HOOK	 TOGGLE	 1/4" STUD	 3/8" STUD	 90° STUD EYELET
<b>NO. 1</b> 0 - 22 lbs	5FT	HF01-5FT					
	10FT	HF01-10FT					
	15FT	HF01-15FT					
	30FT	HF01-30FT					
<b>NO. 2</b> 23 - 100 lbs	5FT	HF02-5FT	HF-HK-NO2-5FT	HF-TG-NO2-5FT	HF-SG-NO2-5FT		HF-SEYEG90A-NO2-5FT
	10FT	HF02-10FT	HF-HK-NO2-10FT	HF-TG-NO2-10FT	HF-SG-NO2-10FT		HF-SEYEG90A-NO2-10FT
	15FT	HF02-15FT	HF-HK-NO2-15FT	HF-TG-NO2-15FT	HF-SG-NO2-15FT		HF-SEYEG90A-NO2-15FT
	30FT	HF02-30FT	HF-HK-NO2-30FT	HF-TG-NO2-30FT	HF-SG-NO2-30FT		HF-SEYEG90A-NO2-30FT
<b>NO. 2</b> STAINLESS STEEL 23 - 100 lbs	5FT	HF-IS-NO2-5FT			HF-ISSS-NO2-5FT-UNC		
	10FT	HF-IS-NO2-10FT			HF-ISSS-NO2-10FT-UNC		
	15FT	HF-IS-NO2-15FT			HF-ISSS-NO2-15FT-UNC		
	30FT	HF-IS-NO2-30FT			HF-ISSS-NO2-30FT-UNC		
<b>NO. 3</b> 101 - 200 lbs	5FT	HF03-5FT	HF-HK-NO3-5FT	HF-TG-NO3-5FT	HF-SG-NO3-5FT	HF-SG3/8-NO3-5FT	HF-SEYEG90A-NO3-5FT
	10FT	HF03-10FT	HF-HK-NO3-10FT	HF-TG-NO3-10FT	HF-SG-NO3-10FT	HF-SG3/8-NO3-10FT	HF-SEYEG90A-NO3-10FT
	15FT	HF03-15FT	HF-HK-NO3-15FT	HF-TG-NO3-15FT	HF-SG-NO3-15FT	HF-SG3/8-NO3-15FT	HF-SEYEG90A-NO3-15FT
	30FT	HF03-30FT	HF-HK-NO3-30FT	HF-TG-NO3-30FT	HF-SG-NO3-30FT	HF-SG3/8-NO3-30FT	HF-SEYEG90A-NO3-30FT
<b>NO. 3</b> STAINLESS STEEL 101 - 200 lbs	5FT	HF-IS-NO3-5FT			HF-SS-INOX-5FT-SS		
	10FT	HF-IS-NO3-10FT			HF-SS-INOX-10FT-SS		
	15FT	HF-IS-NO3-15FT			HF-SS-INOX-15FT-SS		
	30FT	HF-IS-NO3-30FT			HF-SS-INOX-30FT-SS		
<b>NO. 4</b> 201 - 495 lbs	5FT	HF04-5FT				HF-SG3/8-NO4-5FT	
	10FT	HF04-10FT				HF-SG3/8-NO4-10FT	
	15FT	HF04-15FT				HF-SG3/8-NO4-15FT	
	30FT	HF04-30FT				HF-SG3/8-NO4-30FT	
<b>NO. 5</b> 496 - 715 lbs	5FT	HF05-5FT					
	10FT	HF05-10FT					
	15FT	HF05-15FT					
	30FT	HF05-30FT					

Product	Part No.	Description	Case Qty.
 Cable Cutter	CUTTER-GRIPPLE	A purpose made tool for cutting cable. Suitable for use on the Gripple hanger sizes No. 1-4.	1
 Ceiling Clip	3/4" HF-CLIP-P19	For use with loop end fixing, sizes 1-3. Loop is located in the valley of the clip, then shot-fired into concrete deck or steel beam. During firing, the nail closes the clip, completely entrapping the loop, but still allowing pivotal movement of the cable.	100
	1-1/4" HF-CLIP-P32		100
 Wood Eyebolt	HF-EYEBOLT-WOOD-1/4-US	1/4" wood eyebolt with 1/2" eye opening for anchoring into wood beams, joists and trusses. For use with No. 1, 2 (and 3 up to 120lbs).	10

# Double Point Hanger Kits

SIZE	CABLE LENGTH	TYPE OF END FIXING		
		 Y-FIT DOUBLE TOGGLE	 Y-FIT HOOK	 Y-FIT KARABINER
<b>NO. 1</b> 0 - 22 lbs	5FT 10FT 15FT 30FT			
<b>NO. 2</b> 23 - 100 lbs	5FT 10FT 15FT 30FT	HF-YTG-NO2-5FT-460MM HF-YTG-NO2-10FT-460MM HF-YTG-NO2-15FT-460MM HF-YTG-NO2-30FT-460MM	HF-YHK-NO2-5FT-460MM HF-YHK-NO2-10FT-460MM HF-YHK-NO2-15FT-460MM HF-YHK-NO2-30FT-460MM	HF-YGH-NO2-5FT-460MM HF-YGH-NO2-10FT-460MM HF-YGH-NO2-15FT-460MM HF-YGH-NO2-30FT-460MM
<b>NO. 2</b> STAINLESS STEEL 23 - 100 lbs	5FT 10FT 15FT 30FT			
<b>NO. 3</b> 101 - 200 lbs	5FT 10FT 15FT 30FT		HF-YHK-NO3-5FT-460MM HF-YHK-NO3-10FT-460MM HF-YHK-NO3-15FT-460MM HF-YHK-NO3-30FT-460MM	HF-YGH-NO3-5FT-460MM HF-YGH-NO3-10FT-460MM HF-YGH-NO3-15FT-460MM HF-YGH-NO3-30FT-460MM
<b>NO. 3</b> STAINLESS STEEL 101 - 200 lbs	5FT 10FT 15FT 30FT			
<b>NO. 4</b> 201 - 495 lbs	5FT 10FT 15FT 30FT			
<b>NO. 5</b> 496 - 715 lbs	5FT 10FT 15FT 30FT			

Product	Part No.	Description	Case Qty.
Drop-in Anchor 	1/4" HF-DROPIN-ANCHOR-UNC	Punch activated drop-in anchors for fixing into concrete. Accepts Gripple stud-end fixing, pigtail anchor bolts and M6 adaptor (included in all stud kits as standard).	10
	6MM HF-DROPIN-ANCHOR		10
6mm Thread Adaptor 	HF-ADAPTOR-UNIT	Ideal for fixing to luminaires, drop-in anchors, cable tray, hanging brackets and other products with 1/4" hole. Thread-length 3/4". For use with sizes No. 1-3. Maximum SWL 200lbs.	10
Easy Grip Release Key 	KEY-HF-LOGO	A soft feel plastic handle mounted key for releasing the Gripple self locking fastener. Suitable for use with Gripple No. 1, 2 and 3 hangers.	4

## IMPORTANT USAGE INFORMATION

- **DO NOT USE FOR LOADS OUTSIDE THE STATED RANGE OF THE PRODUCT.** The wedges inside the Gripple work by using the weight of the suspended load to draw the wedge onto the cable, creating a secure grip. If used with too light a load, the wedge may not be able to securely grip the cable. Never exceed the safe working load of the product.
- **COMPLIANCE WITH LOCAL CODES** and where applicable, NATIONAL CODES is the buyer and / or installer's responsibility.
- **INTEGRITY OF THE BUILDING STRUCTURE** to which Gripple hangers are attached is the responsibility of the installer and / or specifying engineer.
- **DO NOT PASS COATED CABLE THROUGH THE GRIPPLE.** If using plastic tube covering, ensure that this is removed from the part of the cable which passes through the Gripple. It is essential to maintain metal to metal contact within the Gripple.
- **WHEN PAINTING** ensure that a dedicated Gripple Decor cover is used to cover the Gripple. This will ensure that the movement of the locking wedges inside the assembly is not impaired. After painting, the Gripple should not be repositioned on the cable.
- **DO NOT APPLY LUBRICANT** to any part of the assembly.
- **STATIC LOADS ONLY** are to be supported using Gripple. Do not use for suspending moving objects. Do not install Gripple where it might be subject to movement from HVAC vents, open doors, etc.
- **DO NOT USE FOR HOISTING** such as in a crane or pulley situation.
- **DO NOT USE OUTDOORS.** For indoor use only in a dry environment.
- **IN CHLORINATED ATMOSPHERES** do not use standard Gripple hangers, use Stainless Steel Gripple hangers.
- **DO NOT JOIN TWO CABLE ASSEMBLIES TOGETHER** i.e. using the Gripple fasteners as a splice. A Gripple hanger should consist of one length of Gripple supplied cable and the Gripple fastener.

Gripple Inc.  
1510 Hubbard Ave.  
Batavia, IL 60510  
Tel: 630 406 0600  
Fax: 630 406 0664  
Web: [www.gripple.com](http://www.gripple.com)

**DISTRIBUTED BY:**



CATALOG REORDER NO: LIGHT-V2.6