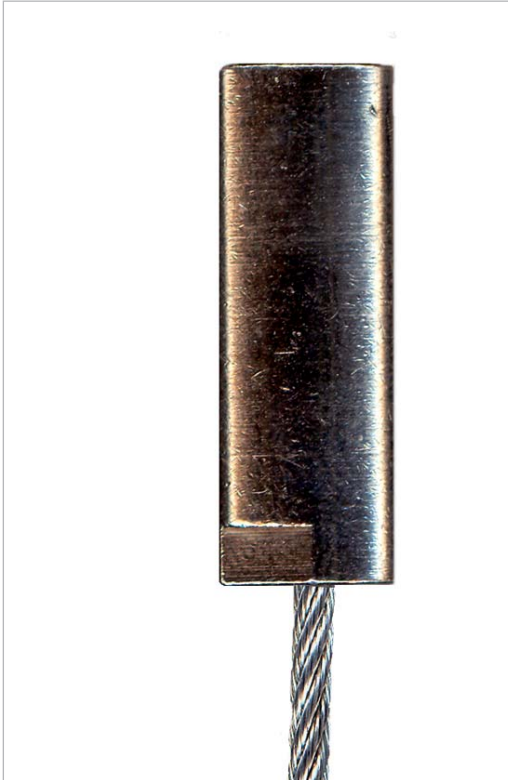


Barrel End Fixing



Applications

Designed to work with an M6 male thread, this M6 female threaded barrel unit is suitable for:

- Fixing signage and light fixtures to M6 T-bar twist clip on suspended ceilings. (See page 19)
- M6 bolts or screws

Product Advantages

- Aesthetic finish provides a clean look
- Quick installation
- Screw onto M6 T-bar twist clip or M6 bolt
- Wire rope is an integral part of barrel fixing with an end stop

Barrel End Fixing Sizes

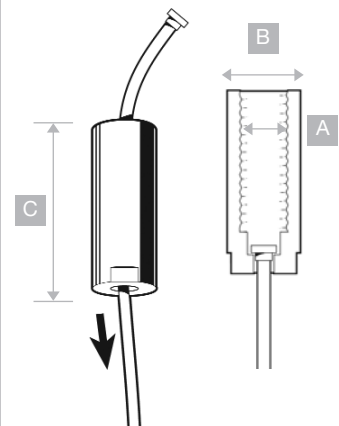
Size	Weight range
No.2	10 – 45kg

- The above sizes have a 5:1 safety factor.
- Available in lengths 1m to 10m as standard – other lengths on request.

example Item order No.	prefix - size - length HF-B6G - No.2 - 1m
---------------------------	---

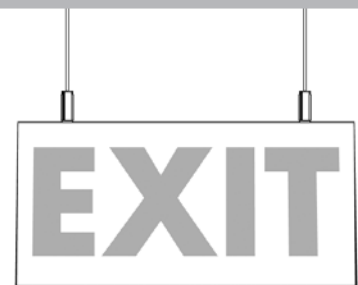
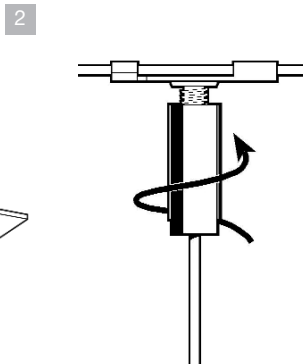
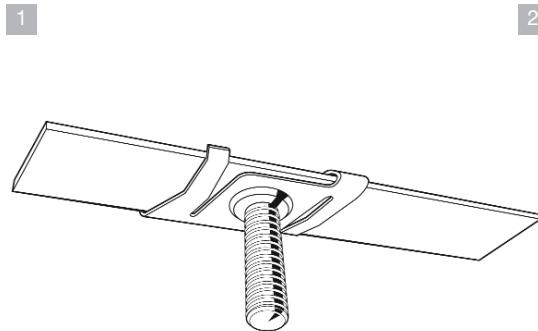
Barrel Specification

The Gripple barrel end fixing is made from zinc plated steel.



Size	A mm	B mm	C mm
No.2	6	12	30

How to Use



Alternative fixing arrangement.